



SCT-1015

**CAMERA CONTROL CODE TRANSLATOR
KALATEL to SENSORMATIC RS-422 Ver. 2.5**

www.sennetech.net

Sennetech, Inc. 6455 W. Bath Rd. Perry, MI 48872 U.S.A. Ph (517) 675-1150 Fax (517) 675-1151

PRODUCT DESCRIPTION

The SCT-1015 is a Kalatel to Sensormatic control code translator designed to permit control of Sensormatic cameras from Kalatel controllers. It receives Kalatel RS-422 commands and transmits the appropriate commands in Sensormatic RS-422 format at 4800 N81. There are four independent Sensormatic outputs.

The code translator will accept Kalatel Digiplex II and Digiplex III control code. The code type and baud rate are detected automatically.

The translator can be configured for variable speed or fixed speed controllers.

The addresses can be offset by 1 to compensate for control systems sending offset addresses.

For systems with Sensormatic cameras limited to a maximum address of 99, the code translator can be set to pass commands for groups of 99.

The output can be either variable speed Sensormatic code or two speed code compatible with old Sensormatic controllers.

Input and output connections are made with mating screw terminal connectors. Front panel LEDs indicate status of power, receive, and transmit.

An optional 19" rack mount panel (one rack unit high) is available.

Version 2.4 increases the Kalatel address range to 512.

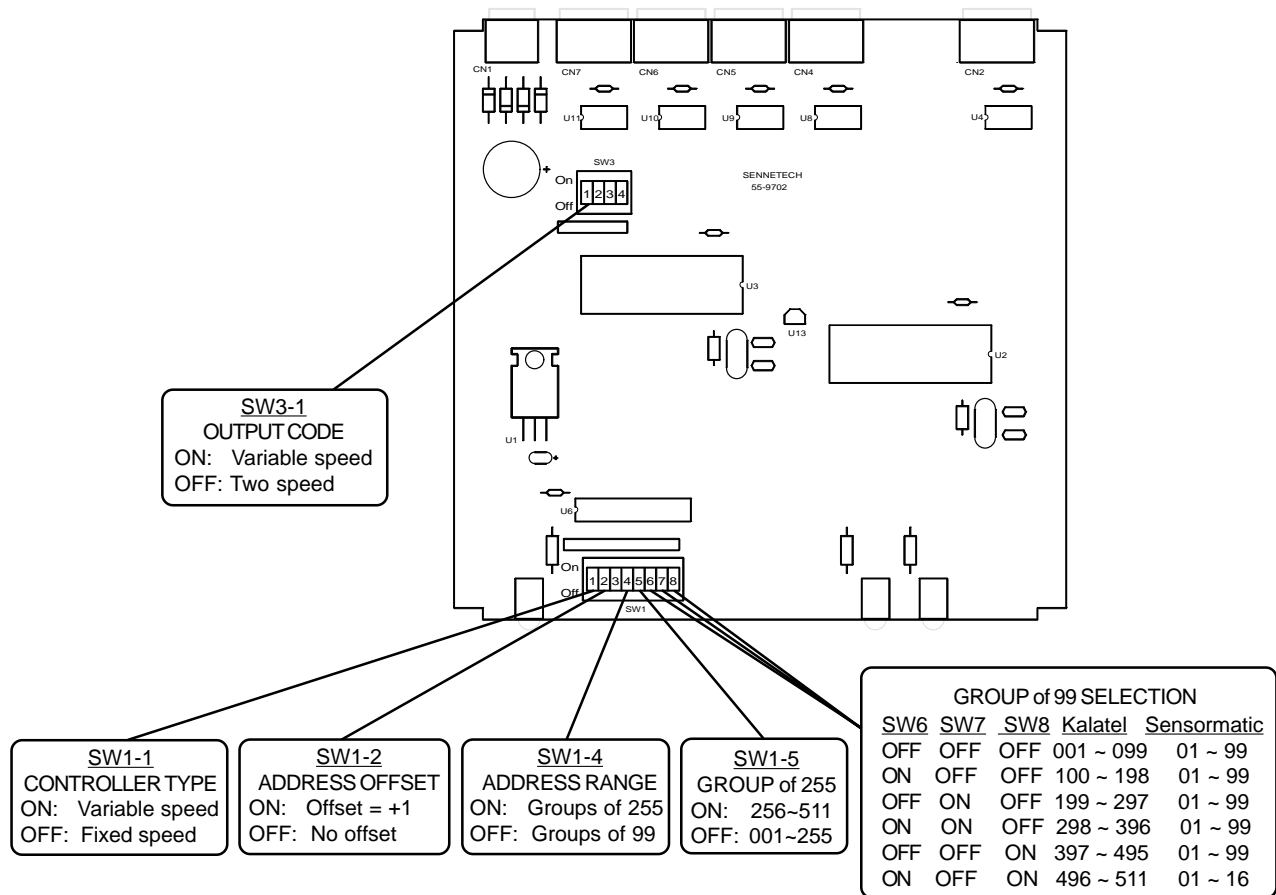
Version 2.5 improves recording patterns.

SPECIFICATIONS

SIZE:	5.57"W x 1.52H x 5.45D
WEIGHT:	1.5 lbs.
POWER:	9Volt to 15Volt AC or DC at 75ma
INDICATORS:	Front panel LEDs: Power, Rx, & Tx
KALATEL RS-422 INPUT:	(1) mating 3-pin screw terminal connector
SENSORMATIC RS-422 OUTPUTS:	(4) mating 3-pin screw terminal connectors

SETTING THE SWITCHES

To set the configuration switches, remove the back panel, which is secured by two screws. Then slide the cover back to expose the switches. The switches can be changed while the code translator is powered up and the new settings will take effect immediately.



Notes:

For Kalatel keypads without joysticks, such as the KTD-301, set SW1-1 to OFF. The speed can then be adjusted using the [Slow] and [Fast] keys.

Address Offset

The normal Kalatel Digiplex III address range is 000~255. On some KTD-405 keypads and some third party DVRs that support the Kalatel digiplex III protocol, camera 000 cannot be selected. The lowest camera number is 001. However, when camera 001 is selected, the data packet sent to the camera is addressed to 000, camera 002 is addressed to 001, etc.

If the source of Kalatel control code for the code translator is sending addresses offset by 1, setting SW1-2 to ON will add 1 to the Sensormatic address so the camera addressed as 1 will be controlled when 001 is selected.

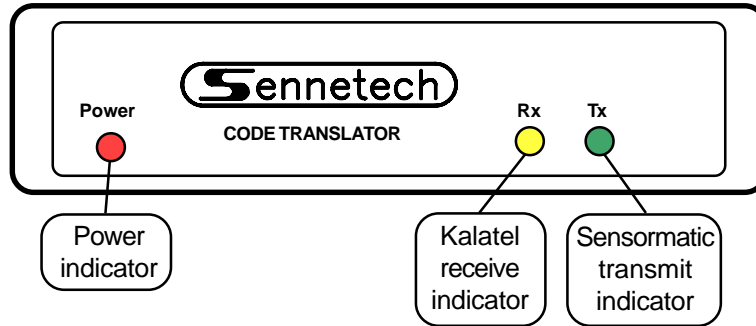
Address Groups of 255

Set SW1-4 to ON for groups of 255 cameras. If SW1-5 is OFF, Kalatel cameras 001~255 are converted to Sensormatic 001~255. If SW1-5 is ON, Kalatel cameras 256~511 are converted to Sensormatic 001~255.

Address Groups of 99

If the Sensormatic camera addresses are limited to 99, set SW1-4 to OFF. The code translator will then only convert commands for a range of 99 cameras. If SW1-4 is OFF, then SW1-6, 1-7 and 1-8 determine which group of 99 cameras on the Kalatel controller is converted to Sensormatic addresses 01-99.

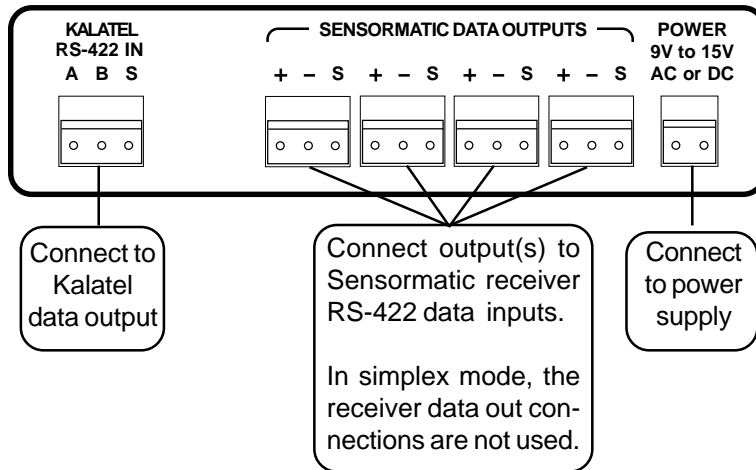
FRONT PANEL



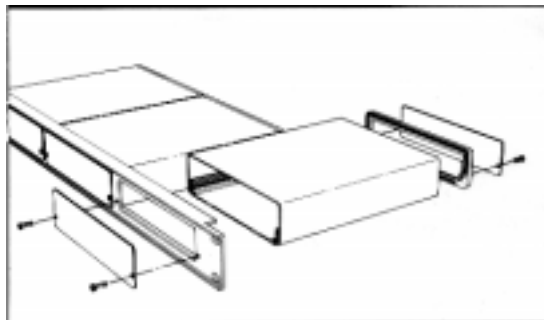
When the Kalatel code stream is detected on the input, the Rx indicator will flash two or three times to indicate Digiplex II or Digiplex III, respectively. Then it will flash either two times for 2400 baud or four times for 4167/4800 baud. As long as the code stream is present, the indicator will glow dimly.

When camera control code is sent, the indicator will flash more brightly.

REAR PANEL



To install the case on the rack mount frame, remove the front panel and the plastic bezel. The rack mount frame takes the place of the bezel as shown below.



OPERATION

Kalatel Pan, Tilt, Zoom, Focus, and Iris commands are converted to equivalent Sensormatic commands.

Additional commands are converted according to the following table for different styles of keyboards. *Note: KTD-405 keyboard commands are listed in italics.*

<u>KTD-304</u>	<u>KTD-405</u>	<u>SENSORMATIC CMD</u>
Presets (Targets or Views)		
[Pgm][Preset][01~04]	<i>[Store][01~04][Store]</i>	Program Preset 1~4
[Set][01~04]	<i>[Find][01~04]</i>	Go to Preset 1~4

Patterns

To store a pattern, put the camera in the starting position. Send the Program Preset command to start the recording. Then move the camera through the desired pattern. At the end of the defined pattern, send the Go To Preset 10 command.

[Pgm][Pset][05]	<i>[Store][05][Store]</i>	Define Start of Pattern 1
[Pgm][Pset][06]	<i>[Store][06][Store]</i>	Define Start of Pattern 2
[Pgm][Pset][07]	<i>[Store][06][Store]</i>	Define Start of Pattern 3
[Set][10]	<i>[Find][10]</i>	Define End of Pattern

Once a pattern is stored, it can be run using the following commands.

[Set][05]	<i>[Tour][01]</i>	Run Pattern 1
[Set][06]	<i>[Tour][02]</i>	Run Pattern 2
[Set][07]	<i>[Tour][03]</i>	Run Pattern 3

Note: Even if recorded with variable speed, Sensormatic patterns playback at a single speed. So, during the recording, the code translator sends only fixed speed pan and tilt commands.

Additional Commands

Auto pan	<i>[Tour](Hold 3 seconds)</i>	Run Pattern 1
Auto focus	<i>Auto focus</i>	Set Auto-Iris / Auto-focus

Dome Configuration Utility

To bring up the on-screen configuration menu, use Pgm Pset 10.

[Pgm][Pset][10]	<i>[Store][10][Store]</i>	Start configuration utility
-----------------	---------------------------	-----------------------------

While the menu is displayed, the following control functions are in effect:

Pan & Tilt	Move the highlight bar
Focus Far	Select the highlighted item
Zoom In/Out	Inc/Dec value of selected field, display next item, or move cursor
Iris Close	Return to previous menu, or exit

Fixed speed controllers

If the code translator is configured for a fixed speed Kalatel controller, the [Slow] and [Fast] keys on the KTD-301 controller will change the speed value for the pan and tilt commands (on power-up the translator defaults to a medium speed).

[Slow]	Decrease speed value
[Fast]	Increase speed value

The KTD-301 cannot simultaneously send commands from keys in the same column. Thus, the slow and fast keys will work while pan right is depressed, but slow and pan left will not work at the same time. Likewise, fast will not work while a tilt key is depressed.

