



SCT-1036

**CAMERA CONTROL CODE TRANSLATOR
AD MANCHESTER to DIAMOND RS-422 Ver. 1.0**

www.sennetech.net

Sennetech, Inc. 6455 W. Bath Rd. Perry, MI 48872 U.S.A. Ph (517) 675-1150 Fax (517) 675-1151

PRODUCT DESCRIPTION

The SCT-1036 is an AD to Diamond Electronics control code translator designed to permit control of Diamond cameras from American Dynamics controllers. It receives AD manchester commands and transmits the appropriate commands in Diamond Electronics RS-422 format (9600 baud E81). There are four independent Diamond outputs.

Input and output connections are made with mating screw terminal connectors. Front panel LEDs indicate status of power, receive, and transmit.

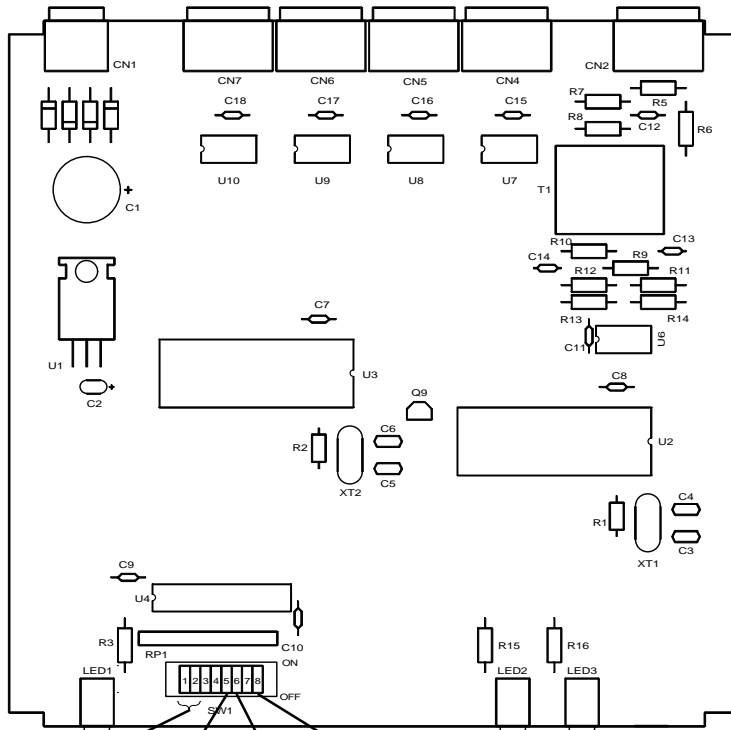
There is an optional 19" rack mount panel (one rack unit high).

SPECIFICATIONS

SIZE:	5.57"W x 1.52H x 5.45D
WEIGHT:	1.5 lbs.
POWER:	9Volt to 15Volt AC or DC at 75ma
INDICATORS:	Front panel LEDs: Power, Rx, & Tx
AD MANCHESTER INPUT:	(1) mating 3-pin screw terminal connector
DIAMOND RS-422 OUTPUTS:	(4) mating 3-pin screw terminal connectors

SETTING THE SWITCHES

To set the configuration switches, remove the back panel, which is secured by two screws. Then slide the cover back to expose the switches. The switches can be changed while the code translator is powered up and the new settings will take effect immediately.



Address Block Conversion

Block#	AD	Diamond
1	001 to 064	001 to 064
2	001 to 064	065 to 128
3	001 to 064	129 to 192
4	001 to 064	193 to 256

SW1-1, SW1-2 ADDRESS BLOCK SELECTION

SW1	SW2	BLOCK#
OFF	OFF	BLOCK 1
ON	OFF	BLOCK 2
OFF	ON	BLOCK 3
ON	ON	BLOCK 4

SW1-5 AUTO IRIS CONTROL

ON: Status set by Preset 71 & 72
 OFF: Status set by SW1-6
 (See Iris Notes section)

SW1-6 DEFAULT IRIS MODE

ON: Auto Iris
 OFF: Manual Iris
 (See Iris Notes section)

SW1-8 AD CODE TYPE

ON: Variable speed
 OFF: Fixed speed

IRIS NOTES

Each Diamond camera telemetry packet (Pan, Tilt, Zoom, & Focus) also contains iris information. If it is not Iris Open or Iris Close, then it will be either Auto Iris or Manual Iris. You cannot send a pan, tilt, zoom, or focus command without the iris command.

Diamond cameras that are not capable of changing Auto Iris status are not affected.

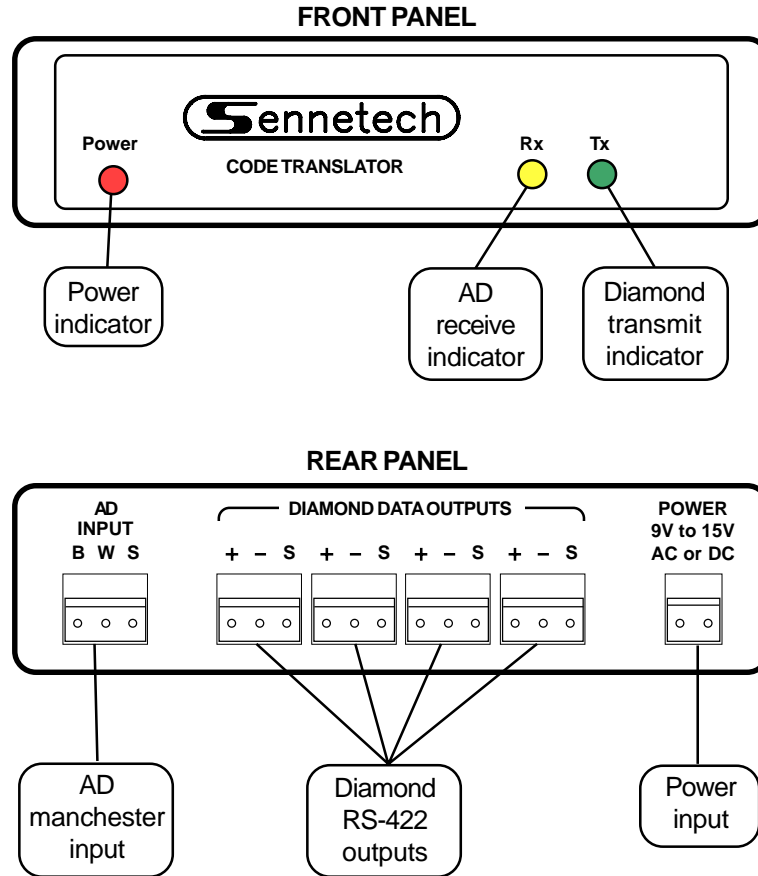
Units that can change between Auto or Manual Iris will be affected. Each time a camera is controlled, it will have its iris status updated to either Auto or Manual.

If the Auto Iris Control switch (Switch1-5) is OFF, Switch1-6 determines whether it is Auto or Manual.

If Switch1-5 is ON, use the following preset commands to set the iris status.

71 Call = Manual Iris
 72 Call = Auto Iris

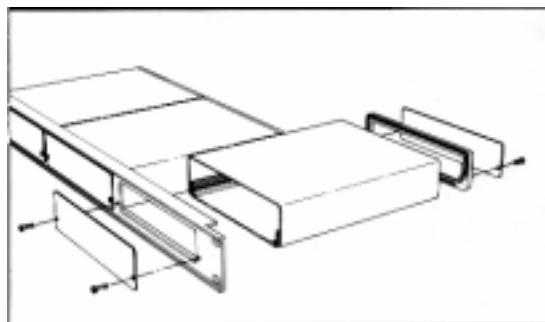
INSTALLATION



KD6 Domes.

When installing Diamond KD6 domes, configure the domes for Maxpro control. This will allow them to be programmed using preset commands.

To install the case on the rack mount frame, remove the front panel and the plastic bezel. The rack mount frame takes the place of the bezel as shown below.



OPERATION

Pan, Tilt, Zoom, Focus, and Iris commands are converted directly.

Set and Call presets up to number 49 are also converted directly.

AD code has 72 presets. Diamond code has 99 presets. The KD6 domes configured for Maxpro control use presets in the 80s and 90s for programming. In order to be able to access these functions, the code translator adds 30 to all preset commands above 49. For example, to bring up the dome's on-screen menu, send [60] [Call] from the AD keyboard, which will be converted to the Diamond Recall 90 command.

<u>AD command</u>	<u>KD6 command</u>
[50] [Call]	Run PTZ Tour 1
[51] [Call]	Run PTZ Tour 2
[52] [Call]	Run PTZ Tour 3
[53] [Call]	Program PTZ Tour 1
[54] [Call]	Program PTZ Tour 2
[55] [Call]	Program PTZ Tour 3
[56] [Call]	Terminate PTZ Programming Mode
[57] [Call]	Start Vectorscan 1
[58] [Call]	Start Vectorscan 2
[59] [Call]	Start Vectorscan 3
[60] [Call]	Setup the Scan and Camera
[61] [Call]	Toggle Error Display Table
[62] [Call]	Toggle Iris Auto Exposure Off & On
[63] [Call]	Toggle Backlight Compensation Off & On
[64] [Call]	Toggle between Standard and Nightshot

The following commands work only if configuration Switch 1-5 is ON:

[71] [Call]	Code translator sends Manual Iris along with each telemetry packet
[72] [Call]	Code translator sends Auto Iris along with each telemetry packet

BLOCK 1		BLOCK 2		BLOCK 3		BLOCK 4	
<u>AD#</u>	<u>Diamond#</u>	<u>AD#</u>	<u>Diamond#</u>	<u>AD#</u>	<u>Diamond#</u>	<u>AD#</u>	<u>Diamond#</u>
1	1	1	65	1	129	1	193
2	2	2	66	2	130	2	194
3	3	3	67	3	131	3	195
4	4	4	68	4	132	4	196
5	5	5	69	5	133	5	197
6	6	6	70	6	134	6	198
7	7	7	71	7	135	7	199
8	8	8	72	8	136	8	200
9	9	9	73	9	137	9	201
10	10	10	74	10	138	10	202
11	11	11	75	11	139	11	203
12	12	12	76	12	140	12	204
13	13	13	77	13	141	13	205
14	14	14	78	14	142	14	206
15	15	15	79	15	143	15	207
16	16	16	80	16	144	16	208
17	17	17	81	17	145	17	209
18	18	18	82	18	146	18	210
19	19	19	83	19	147	19	211
20	20	20	84	20	148	20	212
21	21	21	85	21	149	21	213
22	22	22	86	22	150	22	214
23	23	23	87	23	151	23	215
24	24	24	88	24	152	24	216
25	25	25	89	25	153	25	217
26	26	26	90	26	154	26	218
27	27	27	91	27	155	27	219
28	28	28	92	28	156	28	220
29	29	29	93	29	157	29	221
30	30	30	94	30	158	30	222
31	31	31	95	31	159	31	223
32	32	32	96	32	160	32	224
33	33	33	97	33	161	33	225
34	34	34	98	34	162	34	226
35	35	35	99	35	163	35	227
36	36	36	100	36	164	36	228
37	37	37	101	37	165	37	229
38	38	38	102	38	166	38	230
39	39	39	103	39	167	39	231
40	40	40	104	40	168	40	232
41	41	41	105	41	169	41	233
42	42	42	106	42	170	42	234
43	43	43	107	43	171	43	235
44	44	44	108	44	172	44	236
45	45	45	109	45	173	45	237
46	46	46	110	46	174	46	238
47	47	47	111	47	175	47	239
48	48	48	112	48	176	48	240
49	49	49	113	49	177	49	241
50	50	50	114	50	178	50	242
51	51	51	115	51	179	51	243
52	52	52	116	52	180	52	244
53	53	53	117	53	181	53	245
54	54	54	118	54	182	54	246
55	55	55	119	55	183	55	247
56	56	56	120	56	184	56	248
57	57	57	121	57	185	57	249
58	58	58	122	58	186	58	250
59	59	59	123	59	187	59	251
60	60	60	124	60	188	60	252
61	61	61	125	61	189	61	253
62	62	62	126	62	190	62	254
63	63	63	127	63	191	63	255
64	64	64	128	64	192		

