



SCT-1049

**CAMERA CONTROL CODE TRANSLATOR
KALATEL RS-422 to VICON RS-422 Ver. 2.0**

www.sennetech.net

Sennetech, Inc. 6455 W. Bath Rd. Perry, MI 48872 U.S.A. Ph (517) 675-1150 Fax (517) 675-1151

PRODUCT DESCRIPTION

The SCT-1049 is a Kalatel to Vicon control code translator designed to permit control of Vicon cameras from Kalatel controllers. It receives Kalatel RS-422 commands and re-transmits them as Vicon RS-422 commands. There are four independent Vicon outputs.

Internal switches are used to configure the operation of the code translator. It will accept either Kalatel Digiplex II or Digiplex III code at low or high baud rates.

Kalatel addresses from 000~255 or from 256~511 can be converted.

The address conversion can be offset by 1 for controllers sending address zero for Camera #1.

The Vicon output is selectable between 4800 baud and 9600 baud.

Input and output connections are made with mating screw terminal connectors. Front panel LEDs indicate status of power, receive, and transmit.

There is an optional 19" rack mount panel (one rack unit high).

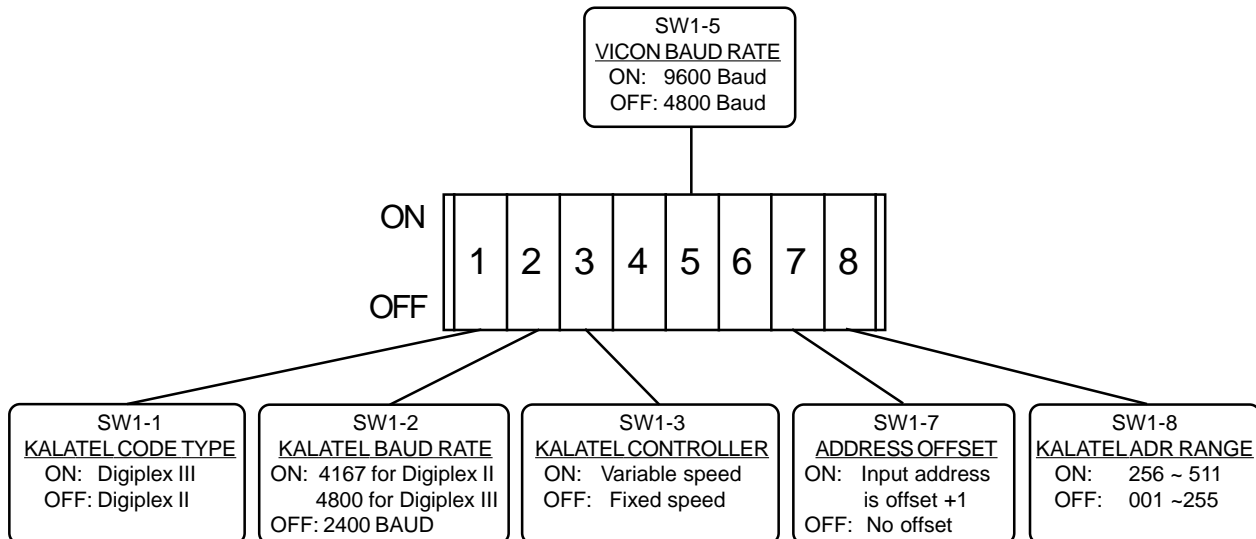
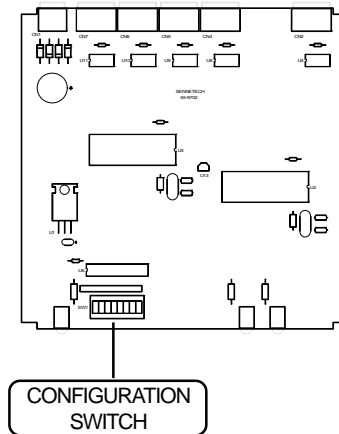
SPECIFICATIONS

SIZE:	5.57"W x 1.52H x 5.45D
WEIGHT:	1.5 lbs.
POWER:	9Volt to 15Volt AC or DC at 75ma
INDICATORS:	Front panel LEDs: Power, Rx, & Tx
KALATEL INPUT:	(1) mating 3-pin screw terminal connector
VICON OUTPUTS:	(4) mating 3-pin screw terminal connectors

SETTING THE SWITCHES

To set the configuration switches, remove the back panel, which is secured by two screws. Then slide the cover back to expose the switches.

The switches can be changed while the code translator is powered up and the new settings will take effect immediately.



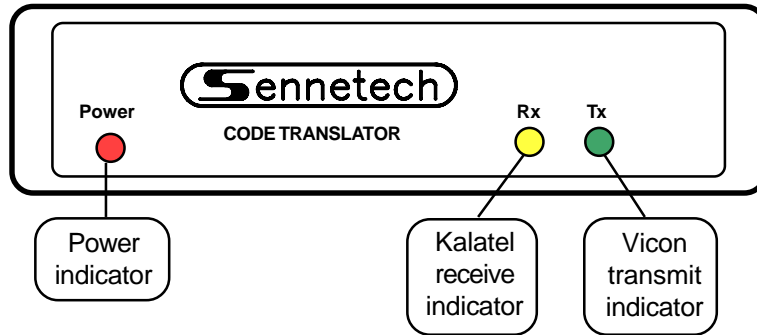
Configuration notes

Kalatel sends a continuous stream of code. When the code translator "locks on" to the code, the Rx indicator will illuminate. If the Kalatel code parameters are not known, change the Kalatel code type and baud rate switches until the indicator lights up. Then momentarily unplug and re-insert the input connector to confirm a "lock".

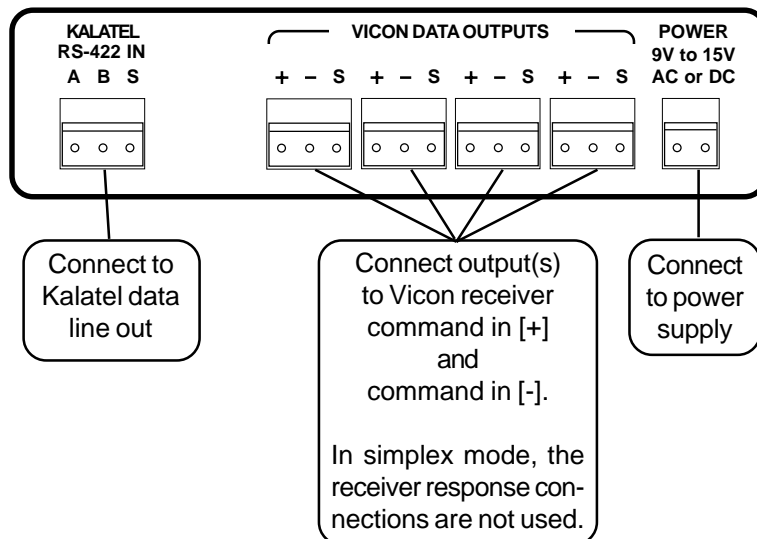
If the Kalatel controller has a vector resolving joystick, such as a KTD-304, set SW1-3 to ON. For Kalatel controllers without variable speed, such as a KTD-301, set SW1-3 to OFF. The pan and tilt speed values can then be adjusted with the [Fast] and [Slow] keys.

INSTALLATION

FRONT PANEL



BACK PANEL



OPERATION

Pan, Tilt, Zoom, Focus, and Iris commands are converted directly. Other commands are converted as follows:

<u>Vicon Command</u>	<u>KTD-304/404 Keyboard</u>	<u>KTD 405 Keyboard</u>
Run Preset [01]~[29] Pgm Preset [01]~[29]	[Set][01]~[29] Pgm Preset [01]~[29]	[Find][01]~[29] [Store][01]~[29]
A/P A/I L/S	[Auto] [Autofocus] [Set][30]	[Tour](Hold for 2 secs) [Autofocus] [Find][30]
Aux1 Aux2 Aux3 Aux4 Aux5 Aux6	[Set][31] [Set][32] [Set][33] [Set][34] [Set][35] [Set][36]	[Find][31] [Find][32] [Find][33] [Find][34] [Find][35] [Find][36]
Alarm Acknowledge	[Alarm] or [Set][39]	[Alarm] or [Find][39]

The maximum Kalatel preset number is 63. Vicon uses presets 80~99 for special commands for the Surveyor Domes. To access these commands, the code translator adds 40 to all preset commands 40 and up.

Run Preset [80]~[99] Pgm Preset [80]~[99]	[Set][40]~[59] Pgm Preset [40]~[59]	[Find][40]~[59] [Store][40]~[59]
--	--	-------------------------------------

Here is a listing of Vicon Dome functions for presets 80~99.

Program Tour 1 Program Tour 2	Pgm Preset [48] Pgm Preset [49]	[Store][48] [Store][49]
Run Tour 1 Run Tour 2	[Set][48] [Set][49]	[Find][48] [Find][49]
Lock/Unlock P/T	Pgm Preset [50]	[Store][50]
Activate On-screen Menu	Pgm Preset [54]	[Store][54]
Soft Reset	Pgm Preset [57]	[Store][57]
Set Autopan Left Limit Set Autopan Right Limit	Pgm Preset [58] Pgm Preset [59]	[Store][Aux1] [Store][Aux2]
Set Autopan Speed	[Set][37]	[Find][37]

After sending this command, deflect the joystick in a pan direction. This will activate Autopan and the speed will change with joystick deflection. When the desired autopan speed is reached, press any lens key, then release the joystick and the dome will continue to autopan at that speed. If this operation is aborted because a tilt command is sent or the joystick is returned to center, cancel autopan by momentarily panning, then start over with the Preset 37 command.

KALATEL KEYBOARD NOTES

KTD-301 Speeds

If the code translator is configured for a fixed speed Kalatel controller, the [Slow] and [Fast] keys on the KTD-301 will change the speed value for the Vicon pan and tilt commands. (On power-up, the translator defaults to a medium speed.)

[Slow]	Decrease speed value
[Fast]	Increase speed value

The KTD-301 cannot simultaneously send commands from keys in the same row or column. Thus, the [Slow] and [Fast] keys will work while pan right is depressed, but [Slow] and pan left will not work at the same time. Likewise, [Fast] will not work while a tilt key is depressed.

KTD-304 and KTD-404 Keyboards

If the Kalatel controller beeps when [Set] is pressed, the presets are probably disabled. To access the controller's programming menu, press and hold [Set] for a few seconds until prompted for a code. Then press [5][7][9][Seq]. The beginning of the programming menu should now be displayed on the LCD panel. Advance through the menu until you get to the Preset Enable section.

To send pgm preset commands, press and hold [Set] until prompted for a code, then press [9][5][1][Seq]. Advance to the preset menu to send program preset commands. To exit, press [Seq] as many times as is required.

Vicon on-screen menus use A/P and A/I to make selections and exit. These can not be sent until the Kalatel controller has exited its programming menu to get back to normal operation.

KTD-405 Keyboard

The KTD-405 keyboard does not have an [A/P] key. For Autopan, hold the [Tour] key down for two seconds until you hear a beep.

Instead of a [Set] key to recall presets, the KTD-405 has a [Find] key. Unlike previous keyboards, where entering a programming menu is required to store a preset, the KTD-405 has a [Store] key.

The factory default setting for the lowest stored preset on KTD-405 keyboards is #58. To change this to #01, use the supervisor's programming menu. Press and hold the return arrow key until you are prompted for a programming code. Enter [1][4][7][6][Seq] to access the menu. Advance through the menu to "Lowest user prgmd preset," enter [001], and then hold [Seq] down for three seconds to exit.

This keyboard also uses [Aux] keys for preset numbers 58 to 61. To send the Run Preset 58 command, the operator would press [Find][Aux1].

VICON PROGRAMMING NOTES

The Vicon domes do not seem to respond to consecutive A/P or A/I commands. To back out from several layers in a Vicon on-screen menu requires a series of A/I commands. After the first one, the dome will not respond to the next one until a different command is sent in between. Using [Alarm] as an "in between" command is a good choice.

