



SCT-1052

**CAMERA CONTROL CODE TRANSLATOR
DIAMOND RS-422 TO BOSCH BIPHASE Ver. 2.0**

www.sennetech.net

Sennetech, Inc. 6455 W. Bath Rd. Perry, MI 48872 U.S.A. Ph (517) 675-1150 Fax (517) 675-1151

PRODUCT DESCRIPTION

The SCT-1052 is a Diamond to Bosch control code translator designed to permit control of Bosch cameras from Diamond controllers. It receives Diamond RS-422 commands and transmits the appropriate commands in Bosch biphase format. There are four independent biphase outputs.

The code translator input can be configured for Diamond/Maxpro code or MUX100 code.

The output can be configured either to send variable speed biphase code, or to send fixed speed biphase code for compatibility with older Burle receivers.

Input and output connections are made with mating screw terminal connectors. Front panel LEDs indicate status of power, receive, and transmit.

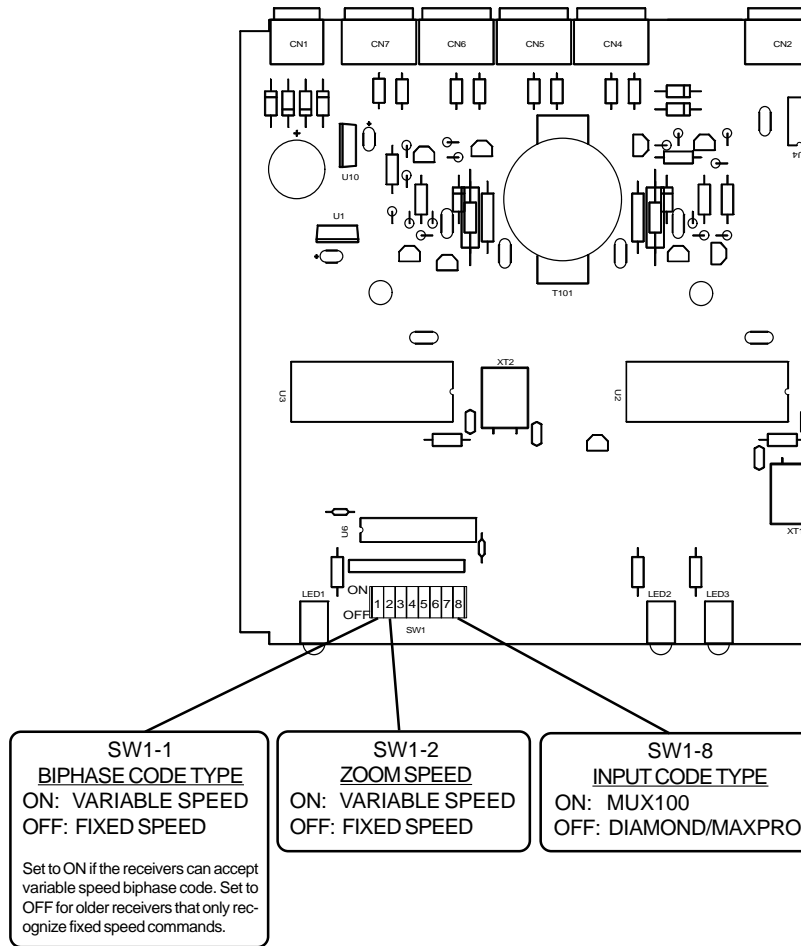
There is an optional 19" rack mount panel (one rack unit high).

SPECIFICATIONS

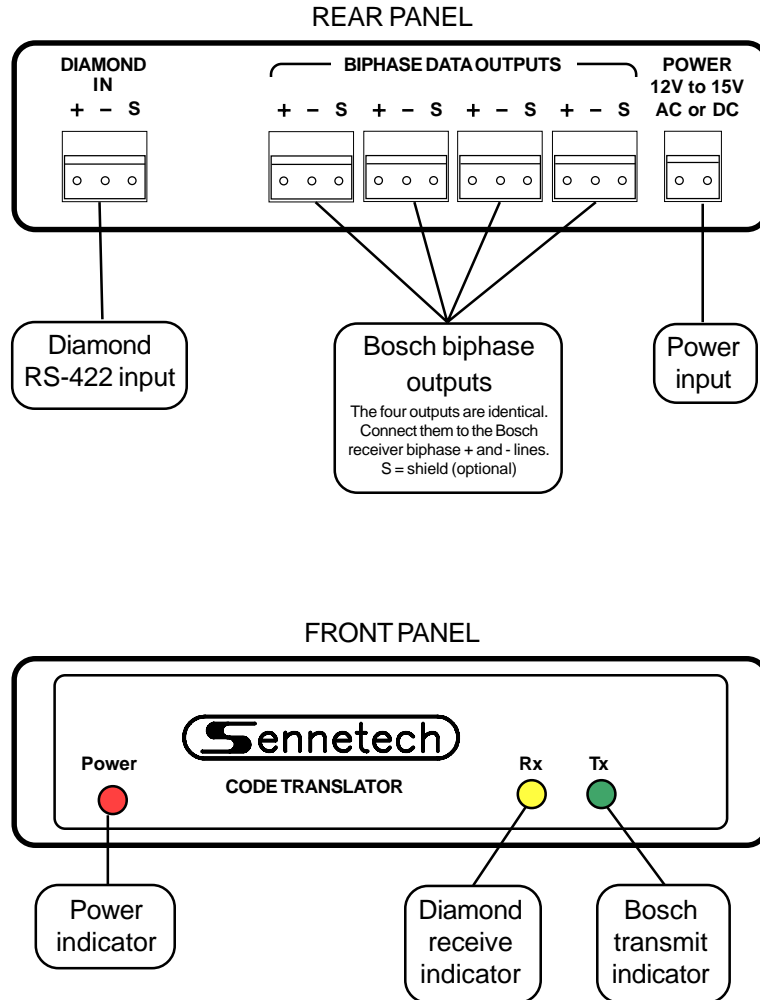
SIZE:	5.57"W x 1.52H x 5.45D
WEIGHT:	1.5 lbs.
POWER:	9Volt to 15Volt AC or DC at 75ma
INDICATORS:	Front panel LEDs: Power, Rx, & Tx
DIAMOND RS-422 INPUT:	(1) mating 3-pin screw terminal connector
BIPHASE OUTPUT:	(4) mating 3-pin screw terminal connectors

SETTING THE SWITCHES

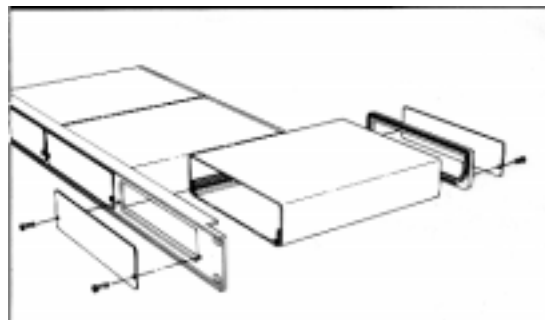
To set the configuration switches, remove the back panel, which is secured by two screws. Then slide the cover back to expose the switches. The switches can be changed while the code translator is powered up and the new settings will take effect immediately.



INSTALLATION



To install the case on the rack mount frame, remove the front panel and the plastic bezel. The rack mount frame takes the place of the bezel as shown below.



OPERATION

Diamond Pan, Tilt, Zoom, Focus, and Iris commands are converted to the equivalent Bosch commands.

Diamond supports one hundred [00~99] preshot commands, which are converted to Bosch Set and Shot commands. Preshots [01~99] are converted directly. Preshot [00] is converted to Set/Shot 100.

The Diamond Aux On and Aux Off commands [01~127] are converted directly to Bosch On and Off commands. Many of these commands are used by Bosch Domes for special functions.

For Bosch functions that use On/Off commands to change numerical values, the Aux commands may have to be sent repeatedly to get to the desired value.

Sending High Bosch Preset and Aux Commands

Bosch code supports Aux numbers and Preset numbers up to 1023. A few of these high numbers are used for programming Auto Domes.

To send high numbers, a base number is first stored in memory. This base number is then added to the preshot or aux number to determine the actual preset or aux number sent.

To store a base number in memory, send a Diamond Run VectorScan command using the following table.

[Vscan][1]	stores number 100
[Vscan][2]	stores number 200
[Vscan][3]	stores number 300
[Vscan][4]	stores number 400
[Vscan][5]	stores number 500
[Vscan][6]	stores number 600
[Vscan][7]	stores number 700
[Vscan][8]	stores number 800
[Vscan][9]	stores number 900

Once a base number is stored, if the very next command to that camera is a preshot or aux command, the preshot or aux number will immediately be added to the base number and sent. Then the base number is cleared.

Example:

To send the Bosch Shot 102 command (Show Left Pan Limit), use the following sequence.

[Vscan][1]	(Store the base number 100)
[Preshot][2]	(Send the Bosch Shot 102 command <100+2>)

Remember, Preshot [00] is converted to 100.

Example:

To send the Bosch On 500 command, use the following sequence.

[Vscan][4]	(Store the base number 400)
[Aux][On][100]	(Send the Bosch On 400 command <400+100>)

