



SCT-1064

**CAMERA CONTROL CODE TRANSLATOR
AD MANCHESTER to PANASONIC RS-485 Ver. 1.0**

www.sennetech.net

Sennetech, Inc. 6455 W. Bath Rd. Perry, MI 48872 U.S.A. Ph (517) 675-1150 Fax (517) 675-1151

PRODUCT DESCRIPTION

The SCT-1064 is an AD Manchester to Panasonic code translator designed to permit control of Panasonic cameras from American Dynamics controllers. It receives AD manchester code and transmits the appropriate commands in Panasonic RS-485 format. There are four independent Panasonic outputs.

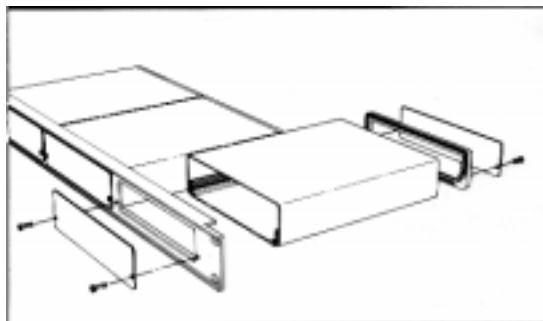
The code translator is contained in a standard 19" electronic housing (one rack unit high). Input and output connections are made with removable screw terminals. Front panel LEDs indicate status of power, receive, and transmit.

The output baud rate can be set to 9600 or 19.2k baud.

SPECIFICATIONS

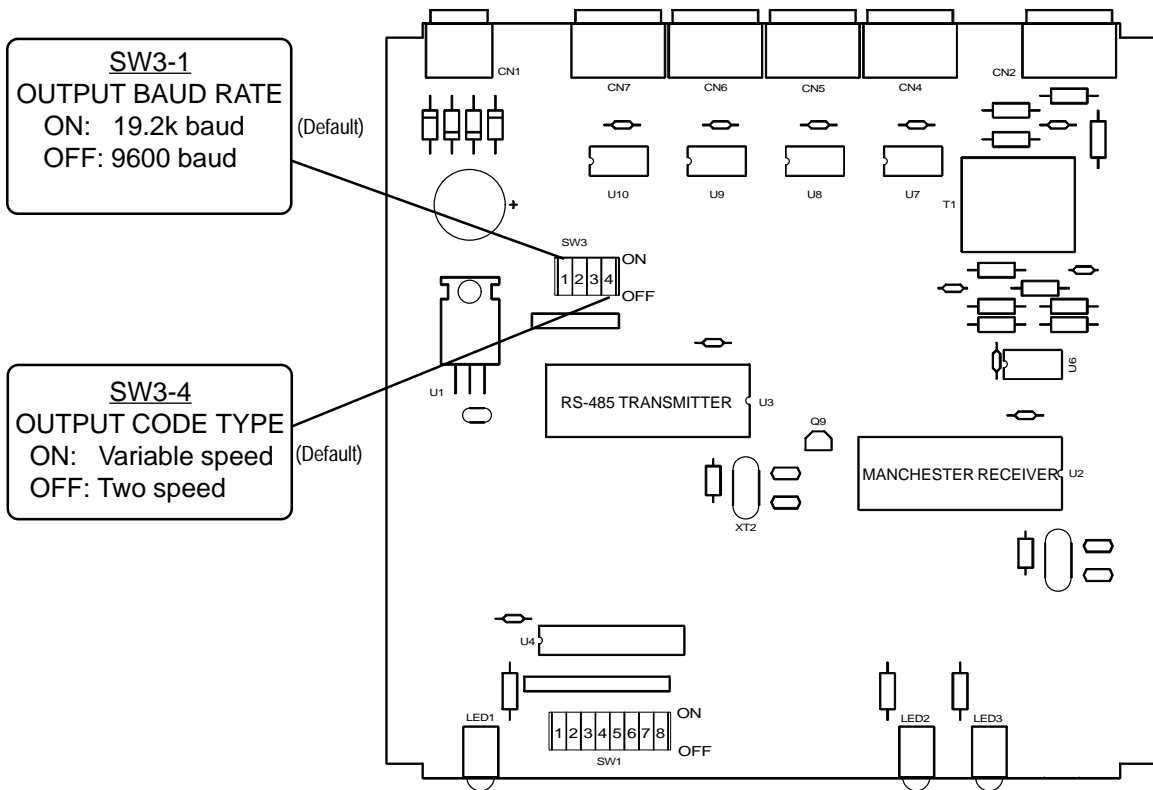
SIZE:	19"W x 1.75H x 5.45D
WEIGHT:	1.5 lbs.
POWER:	9Volt to 18Volt AC or DC at .75 Watts
INDICATORS:	Front panel LEDs: Power, Rx, & Tx
AD MANCHESTER INPUT:	(1) 3-pin mating screw terminal connector
PANASONIC OUTPUTS:	(4) 3-pin mating screw terminal connectors

To install the case on the rack mount frame, remove the front panel and the plastic bezel. The rack mount frame takes the place of the bezel as shown below.



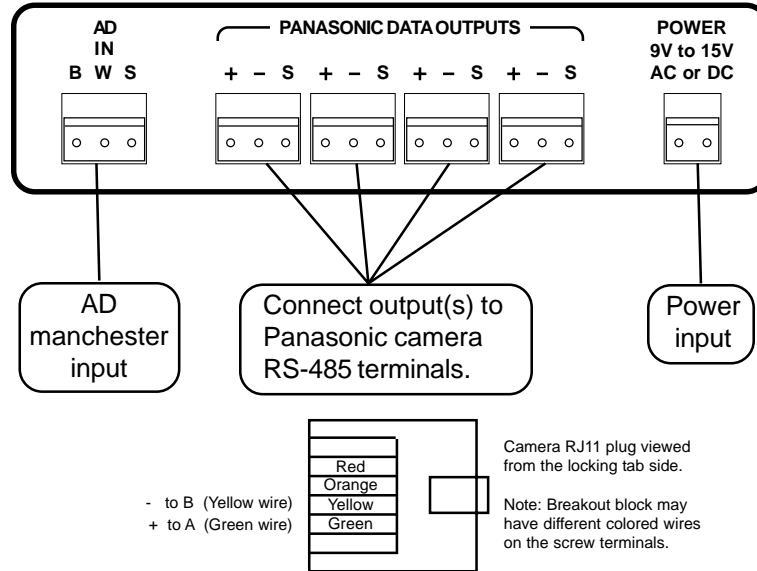
SETTING THE SWITCHES

To set the configuration switches, remove the back panel, which is secured by two screws. Then slide the cover back to expose the switches. The switches can be changed while the code translator is powered up and the new settings will take effect immediately.

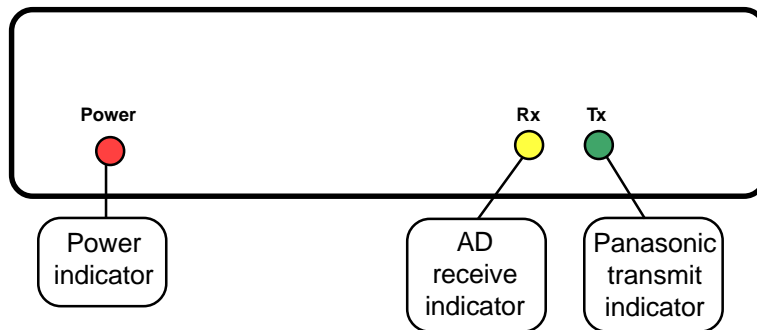


INSTALLATION

REAR PANEL



FRONT PANEL



The Rx indicator will flash when manchester code is being received. Since AD manchester code is repeating, it will flicker continuously while a camera is being moved. Panasonic code is repeated at a slower rate.

If there is no Rx indication, check that the input is indeed AD manchester code.

If there is Rx but no Tx, possible causes are:

- The incoming AD manchester code is not camera control code.
- The input wires are reversed.

If the indicators show normal operation but the camera does not respond, possible causes are:

- The output wires are not connected properly.
- The data packet address and camera switch setting do not match.
- The output baud rate does not match the camera's settings.

OPERATION

AD Pan, Tilt, Zoom, Focus, and Iris commands are converted to the equivalent Panasonic commands. Additional commands will be converted according to the following table.

	<u>AD Command</u>	<u>Panasonic Command</u>
Aux	On 1	Auto Pan
	Off 1	Stop Auto Pan
	On 2	ALC On
	Off 2	Manual Iris
	On 3	Auto Focus On
Presets	Shot 1 ~ 49	Store Preset 0 ~ 49
	Set 1 ~ 49	Recall Preset 0 ~ 49

AD [Set] [50] to [Set] [59] commands are used for the camera setup menu.

Set 50	Menu Off
Set 51	Menu On

The cursor control commands are arrayed around the keypad in the direction the cursor is to move.

Set 52	Cursor Up
Set 54	Cursor Left
Set 56	Cursor Right
Set 58	Cursor Down

Use up/down to navigate and left/right to toggle choices.

[Set] [57] and [Set] [59] send the Panasonic Menu Set commands, which select menu items.

Set 57	Set 1
Set 59	Set 2

Sending [Set] [50] will close the menu and save the changes.

Set 61	Set Left Auto Pan Limit
Set 62	Set Right Auto Pan Limit
Set 63	AGC On
Set 64	AGC Off
Set 65	Patrol Learn
Call 65	Patrol Play
Call or Set 66	Patrol Stop

